
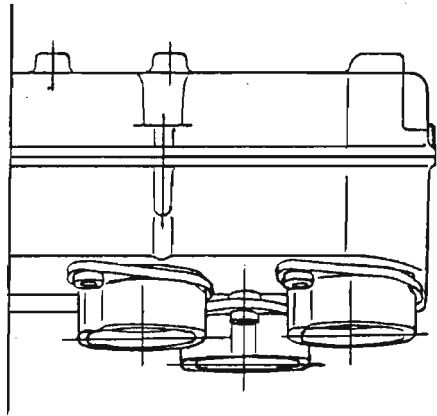
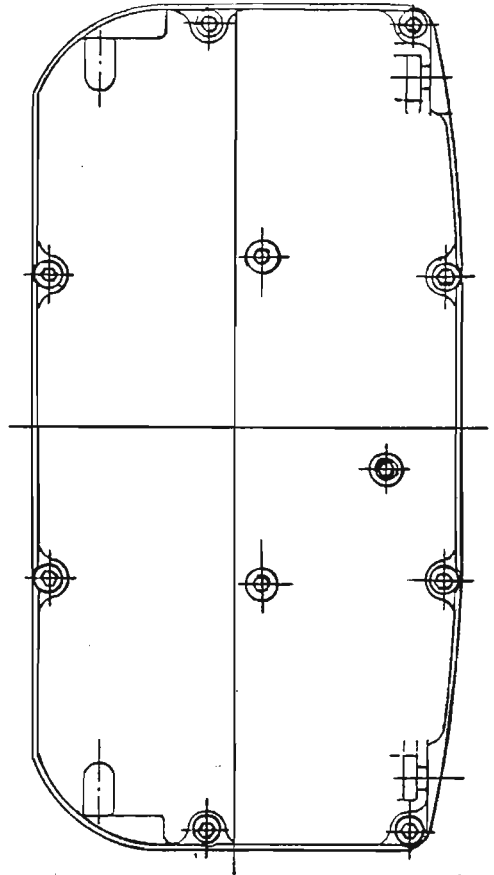
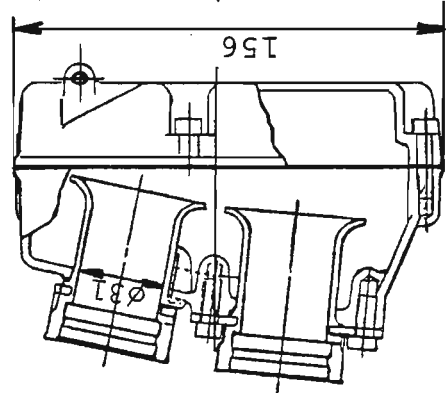
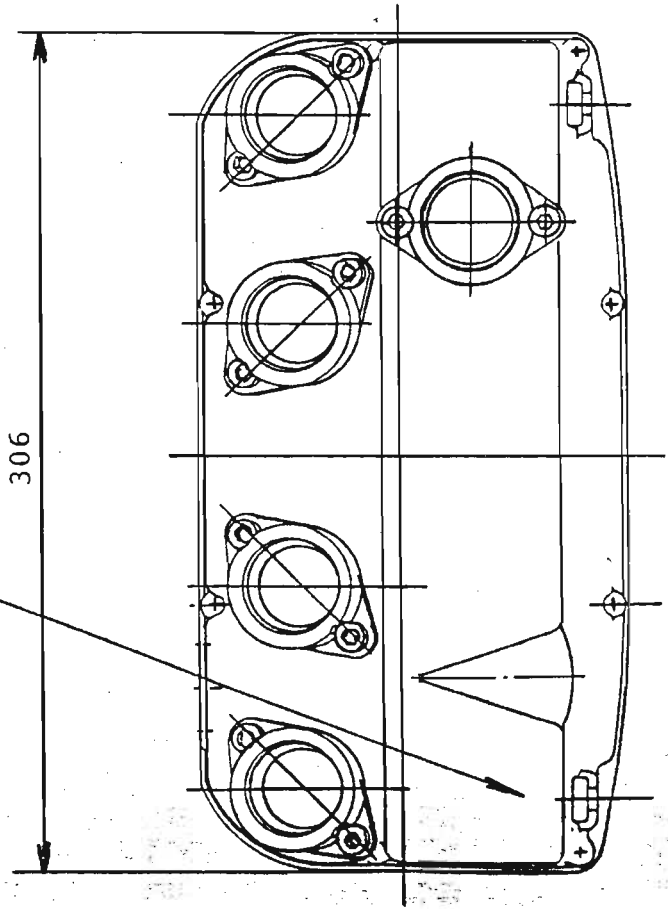



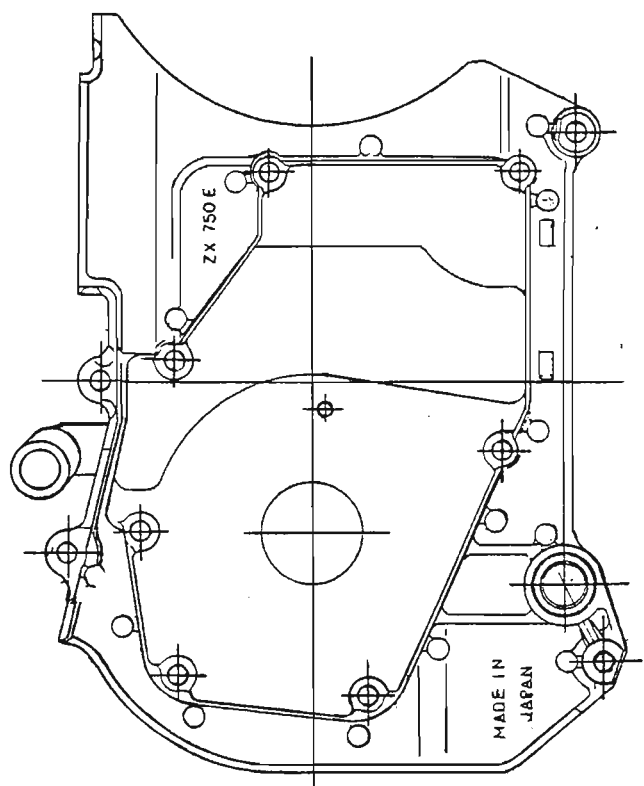
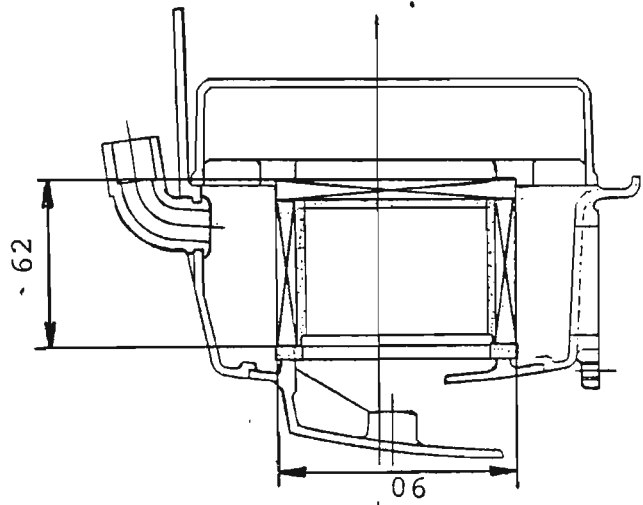
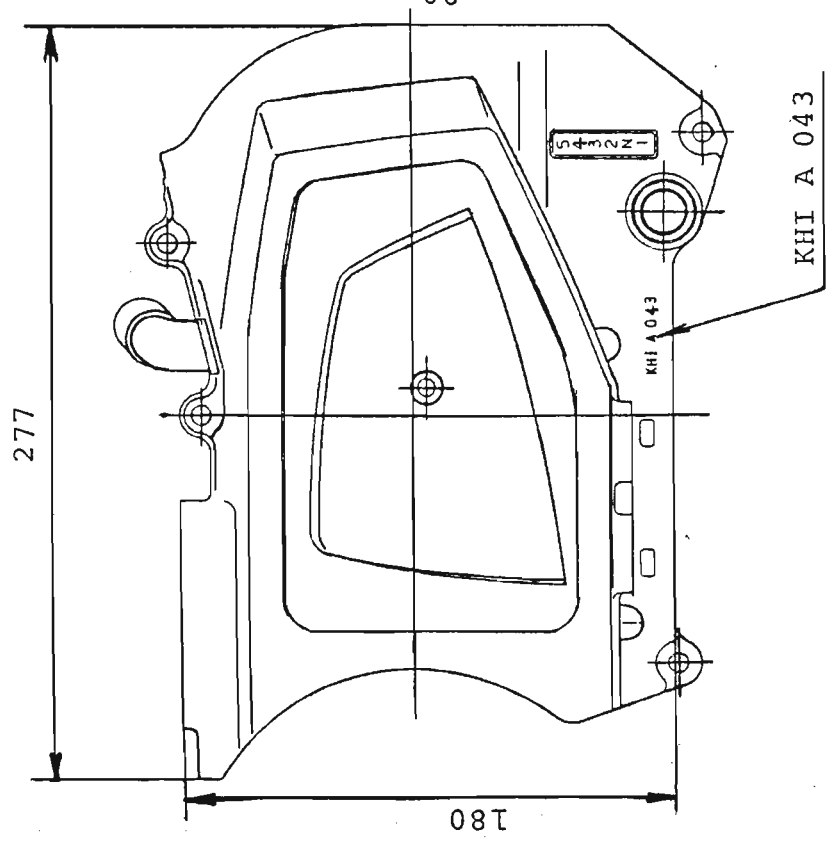
AIR CLEANER ASSEMBLY (2/2)
TYPE: ZX750E MODEL: ZX750E
DWG. NO. : 40113 - 1051
 KAWASAKI KEIRYU INDUSTRIES, LTD.

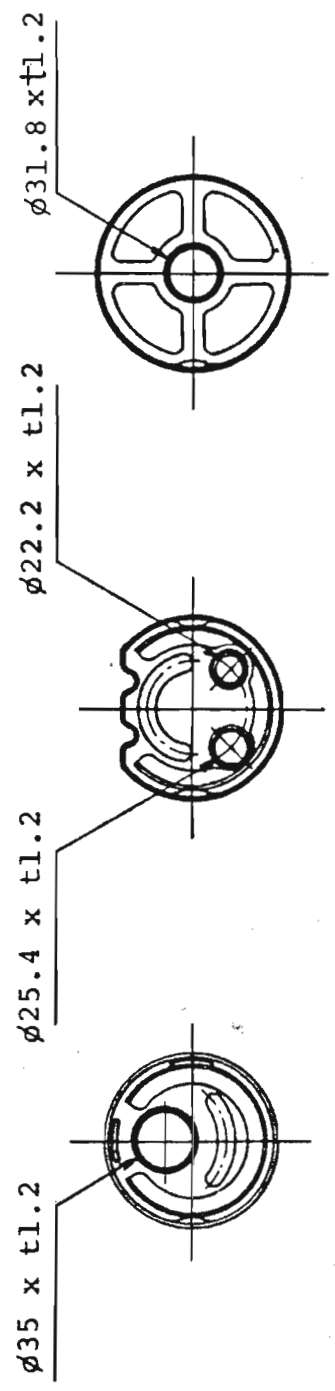
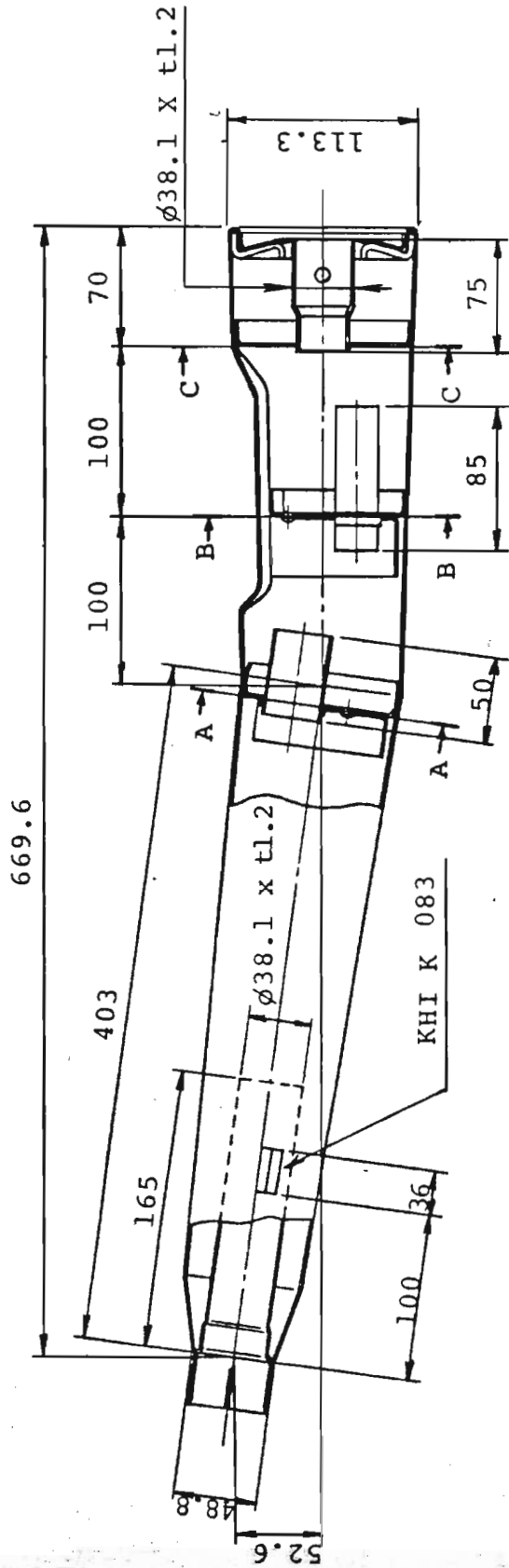


KHI A 044



AIR CLEANER ASSEMBLY (1/2)
TYPE: ZX750E MODEL: ZX750E
DWG. NO. : 40113 - 1051
 KAWASAKI HEAVY INDUSTRIES, LTD.



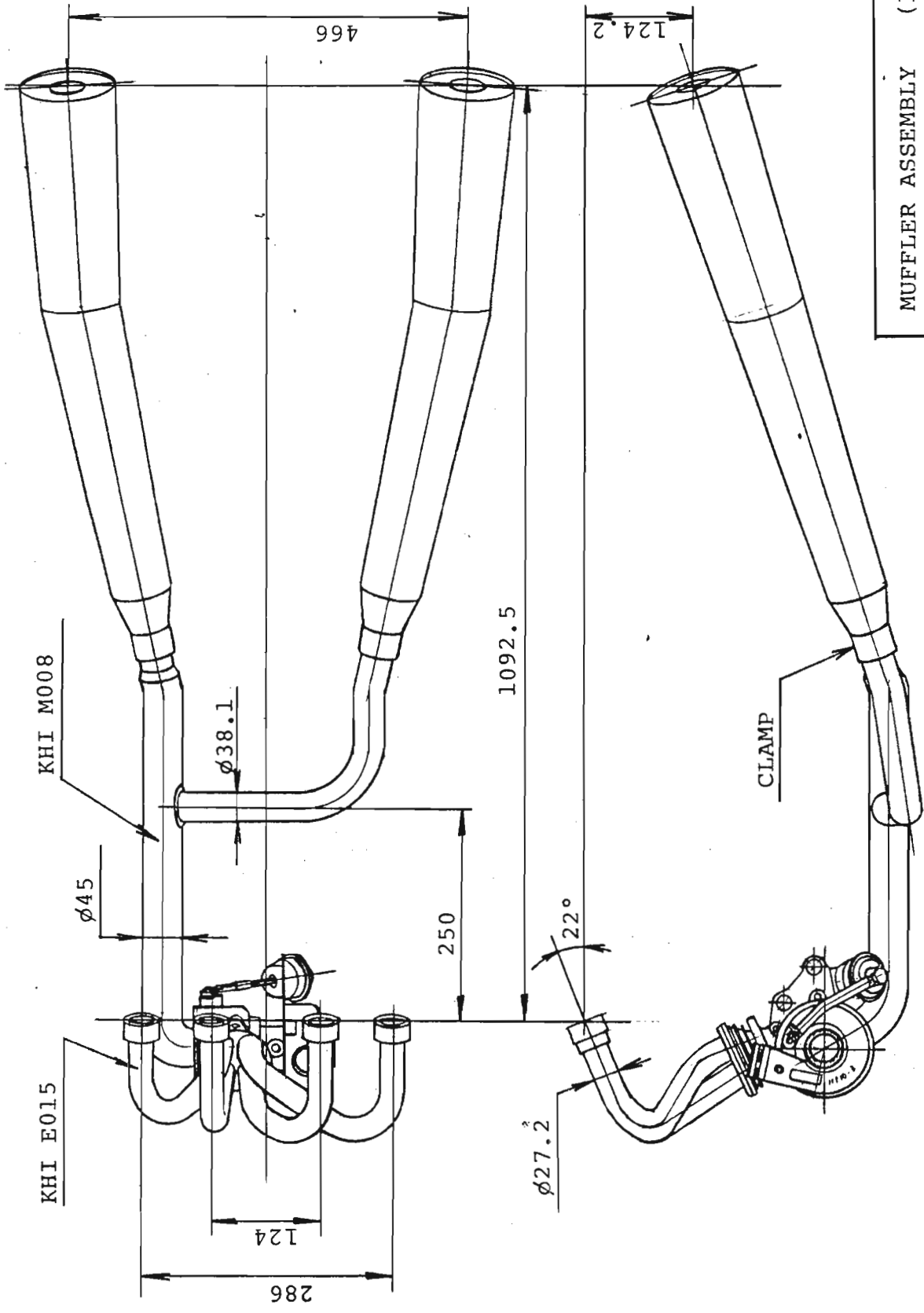



Section AA

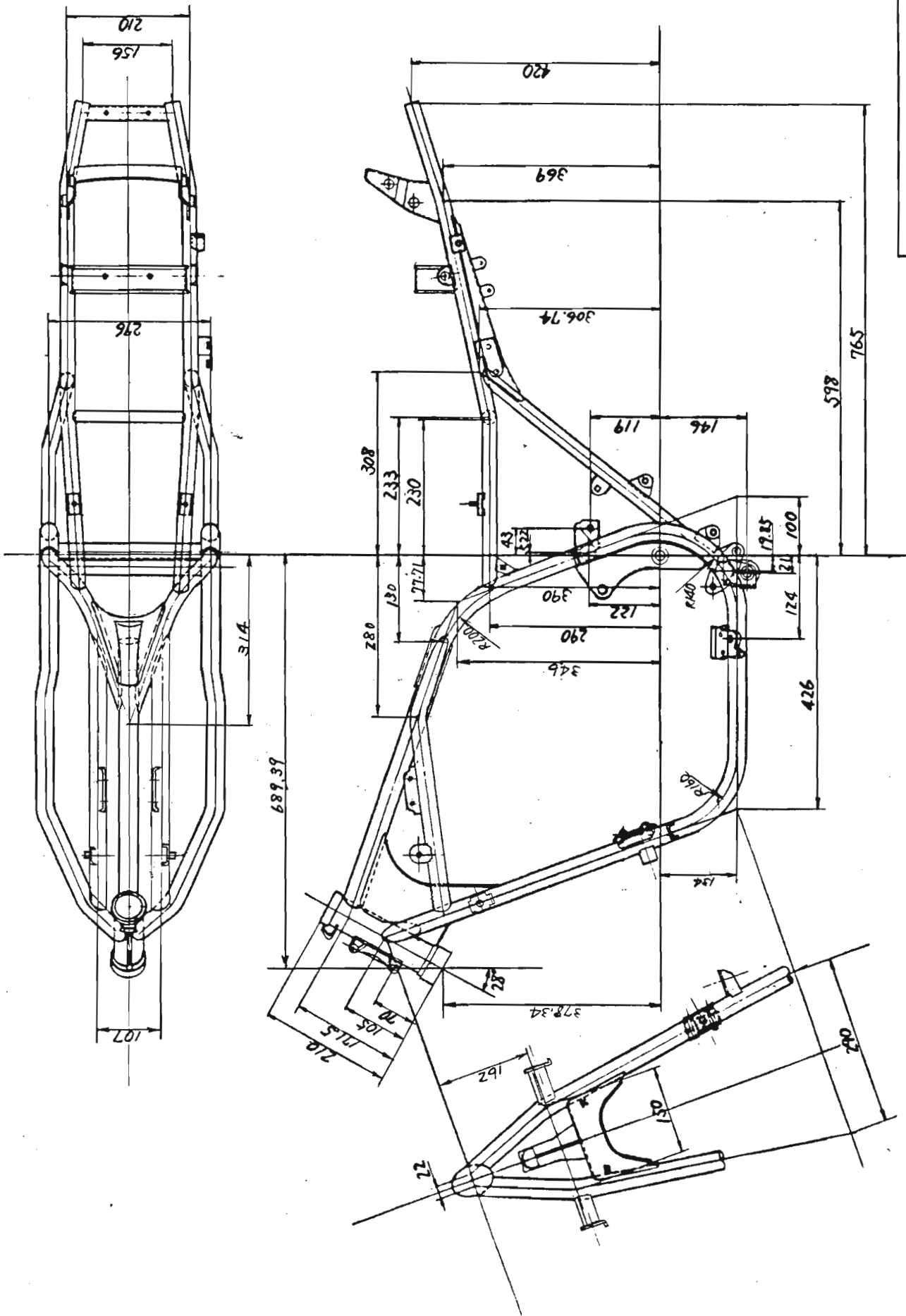
Section BB

Section CC

MUFFLER ASSEMBLY	(2/2)
TYPE: ZX750E/MODEL: ZX750E	
DWG. NO. : 40076 - 1385	



MUFFLER ASSEMBLY (1/2)
TYPE: ZX750E/MODEL: ZX750E
DWG. NO. : 40076 - 1385
 KAWASAKI HEAVY INDUSTRIES, LTD.

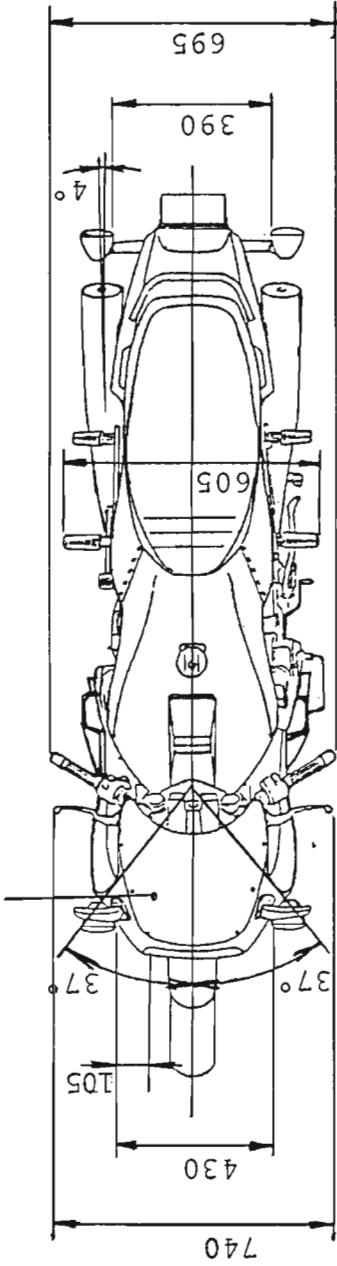


FRAME COMPLETE

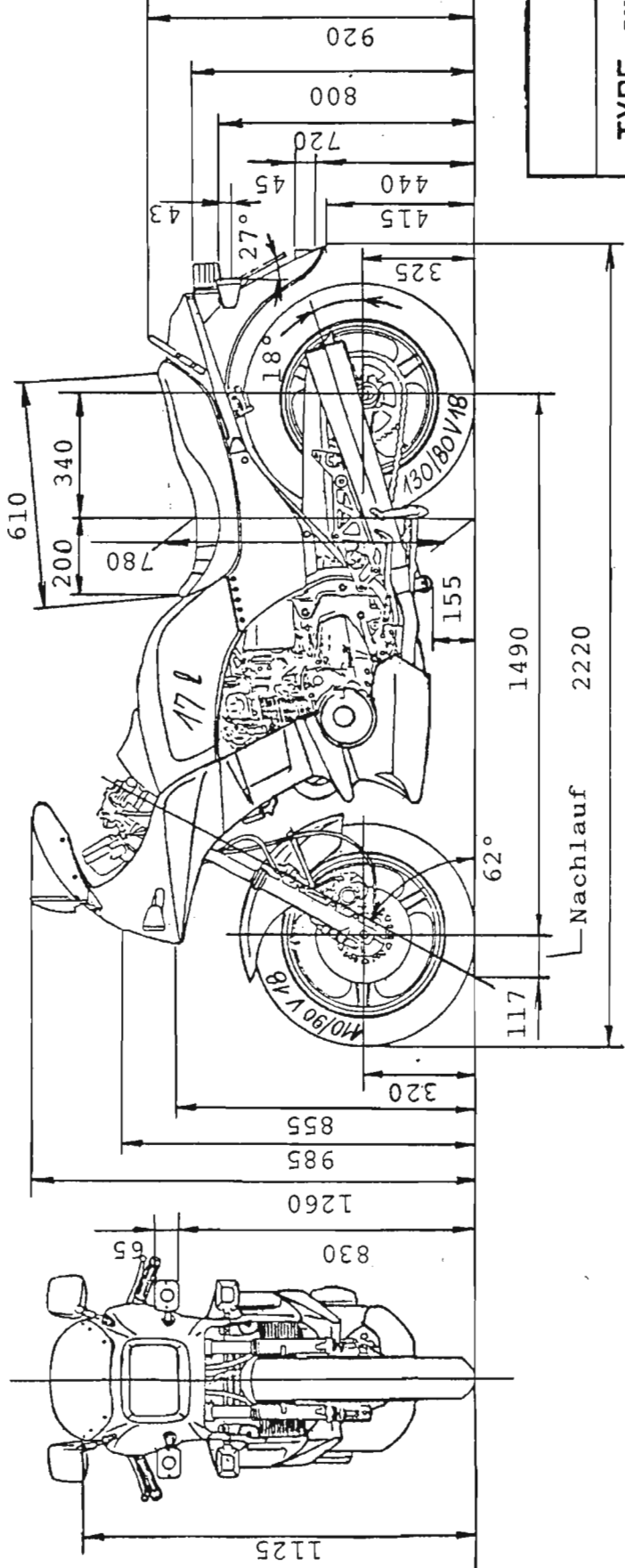
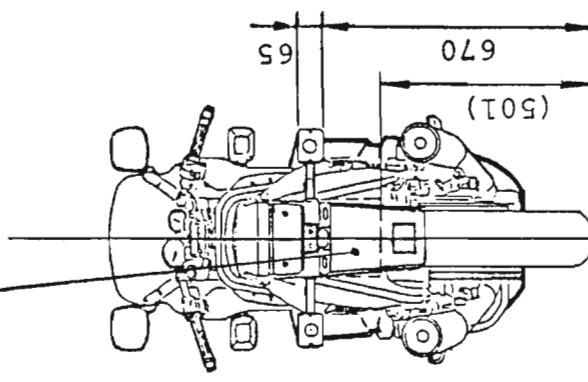
TYPE: ZX750E/ MODEL: ZX750E

KAWASAKI
HEAVY INDUSTRIES, LTD.

Lenkeinschlagwinkel



Anbringungsort für
amtliches
Kennzeichen



PROFILE

TYPE: ZX750E MODEL: ZX750E



KAWASAKI
HEAVY INDUSTRIES, LTD.

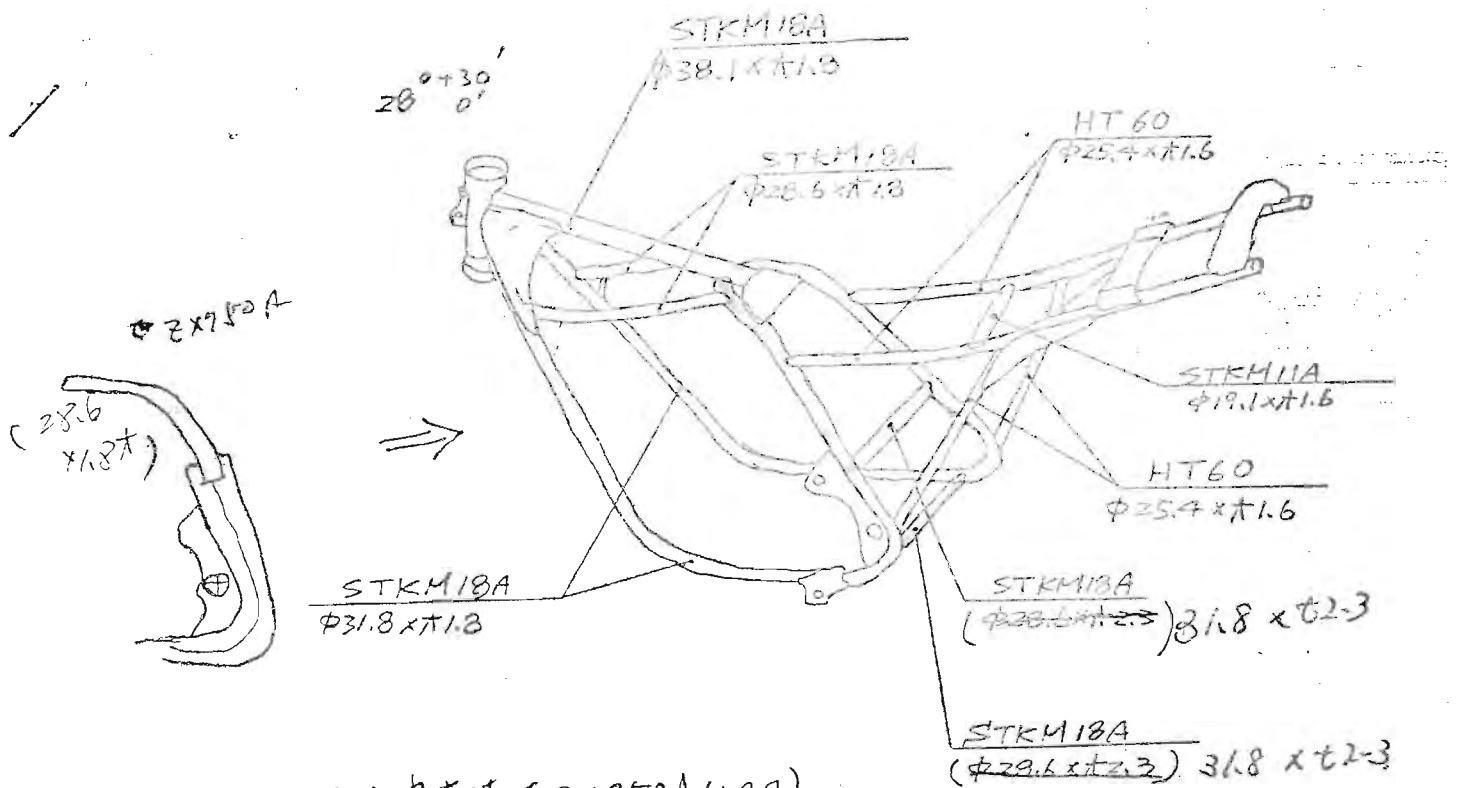
750 Turbo Frame

A. Shock Absorber

		GPz750	750 Turbo
F R O N T	K	K=0.4-0.8Kg/mm, 1S-35, Changing point of Spring- ratio=120mm Stroke=150mm	K=0.4-0.8 Kg/mm, 1S-40, Changing point of Springratio=110mm Stroke=130mm
	Damping	20Kg/0.3m/s	20Kg/0.3m/s
	Air Pressure	0.5 at.	0.5 at
R E A R	K	K=7.0, 1S-17, Stroke=65mm,	K=9.1, 1S-9, Stroke=60mm
	Damping Force	T:180, 220, 260, 300Kg/0.3m/s, C: 50 ⁺²⁰ ₀ Kg/0.3 m/s	T : 220, 260, 300, 350Kg/0.3m/s C : 50 ⁺²⁰ ₀ Kg/0.3m/s
	Air Pressure	0.5 at	0.5 at

B. Frame Drawing of 750 Turbo

* Dimension of () shows that of GPz750



7L-4 227°
Zx-750 E.
3 2002-1655A