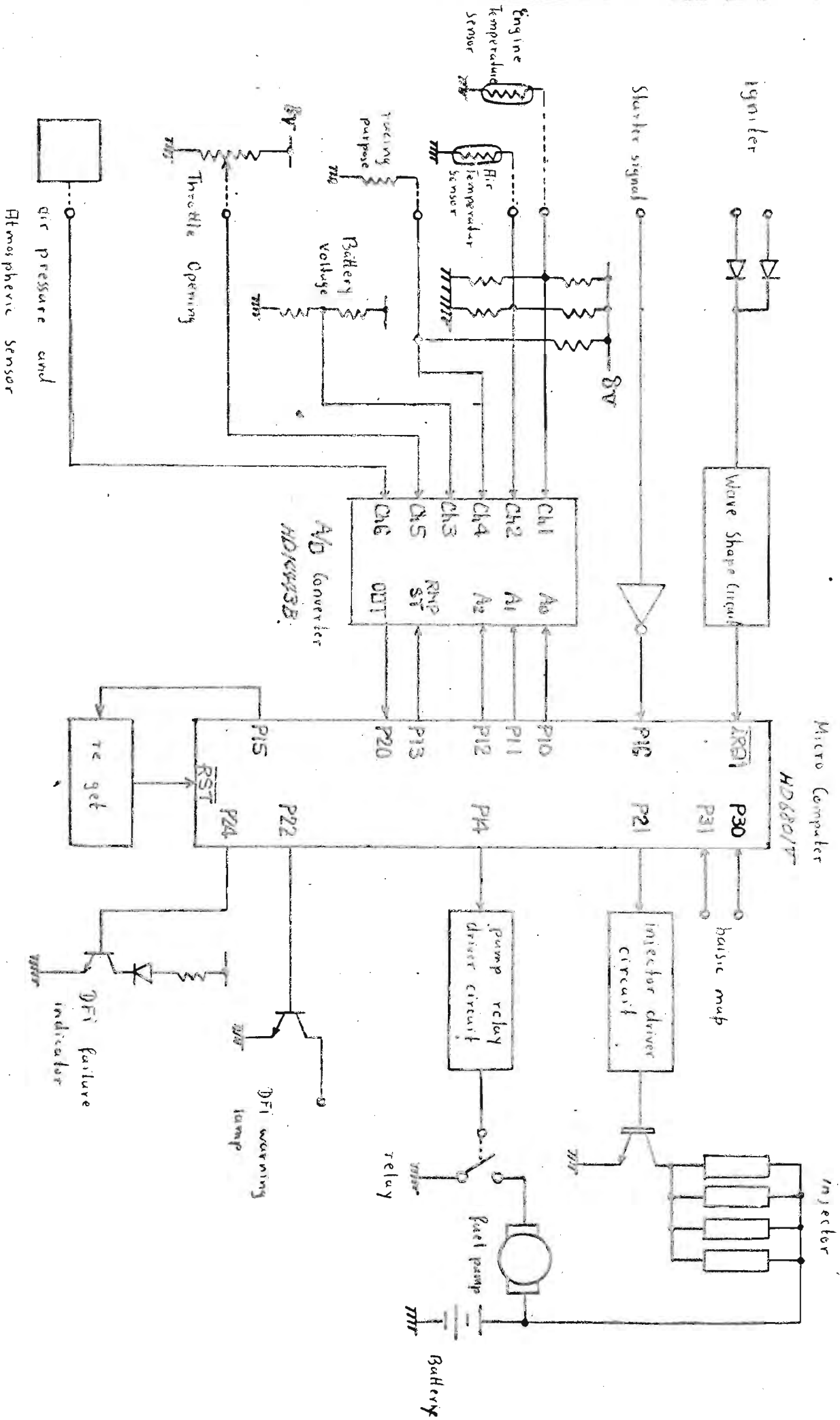


MAFFLER A<sup>1</sup>/<sub>2</sub>

# DFI System Turbo



Z A 753 E

Boost Pressure (Gauge)

